

FONA
CLOSER TO YOU



INTRAORAL IMAGING ACCORDING TO YOUR NEEDS

Intraoral X-rays

INTRAORAL IMAGING ACCORDING TO YOUR NEEDS

FONA intraoral X-ray devices are designed for ease of use, precision, reliability and flexible integration to every environment. They deliver high image quality even in the most demanding working conditions. Select the model that best suits your dental clinic and working methods. You'll find no compromises on comfort and image quality.



FONA XDC



ADVANCED TECHNOLOGY

State of the art digital DC (high frequency) technology and comprehensive program presets ensure high sharpness and excellent quality of your images.



PROVEN RELIABILITY
Thousands of units installed worldwide provide intraoral imaging every day.

FONA X70



EXCELLENT IMAGE QUALITY
Finest focal spot of 0.4 for excellent image quality.

FONA XDG

FONA XDC



Precise setting for all exposures

Obtain the most appropriate exposure setting by selecting from 2 patient sizes, 9 tooth types and 3 detectors. Optional DAP available.



Excellent image quality

Finest focal spot of 0.4, DC technology and a wide range of preset exposure settings ensure excellent image quality.



The contrast you prefer

Get the image information you are looking for. Select the voltage 60 kV for perio application to reveal statement of ligaments or 70 kV for endo to see more hard tissue contours.



Integration flexibility

Available as a mobile and wall-mounted version. Four different extension arm lengths and possibility to place the timer remotely, for even greater installation freedom and ease of use.



Ergonomic positioning

Stable, easy to adjust arm ensures accurate and reliable positioning every time.



Perfectly compatible

FONA XDC used together with ScaNeo, CDR and CDRelite are a perfectly compatible solution to guarantee excellent image quality.

FONA XDC is the perfect choice for demanding professionals.

This state of the art DC device with its modern design will fit perfectly into your dental studio and has the flexibility to give you excellent image quality in all your clinical cases. Its technology is fulfilling the highest standards for low dose digital imaging and with three presets, for all receptor types, is universally usable for digital sensors, phosphor plates or films.

ADVANCED DC TECHNOLOGY

State of the art DC technology means excellent image quality and all the details you need for your diagnosis.

INTEGRATION FLEXIBILITY

Different configuration possibilities for comfortable and reliable positioning.

PRECISE SETTINGS FOR ALL EXPOSURES

Automatic exposure setting in just 3 steps for fast and high quality imaging.



FONA XDG



ERGONOMIC POSITIONING

Lightweight arm for smooth movement and stable positioning.

EXCELLENT IMAGE QUALITY

Finest focal spot of 0.4 for excellent image quality.

AUTOMATIC EXPOSURE SETTING

Comprehensive and easy to use control panel for automatic exposure setting.

FONA XDG is the choice of dentists worldwide, and has already proven its ease of use, precision and reliability.

It delivers high image quality even in the most demanding working conditions, both with high resolution receptors and finest grain films.



Excellent image quality

The best focal spot of 0.4 guarantees sharp images with optimal detail perception.



Automatic exposure setting

Select tooth type, patient size and receptor - mAs are automatically set ensuring accurate radiation dose.



Ergonomic positioning

The light, solid and stable folding arm assures smooth movement and reliable positioning.



Remote solution

The remotely mounted timer and hand switch allow you to control the exposure from outside the X-ray room.

FONA X70

Designed for ease of use, stable image quality and a long lifespan, FONA X70 is the ideal affordable solution for your dental studio.

Its automatic correction for mains voltage fluctuations, full protection against tube over-heating with accurate cool-down procedure, and improved safety features will make FONA X70 your reliable imaging companion for years to come.



Stable image quality

A penetration power of 70 kV and microprocessor controlled timer guarantee good image contrast and consistent film blackening.



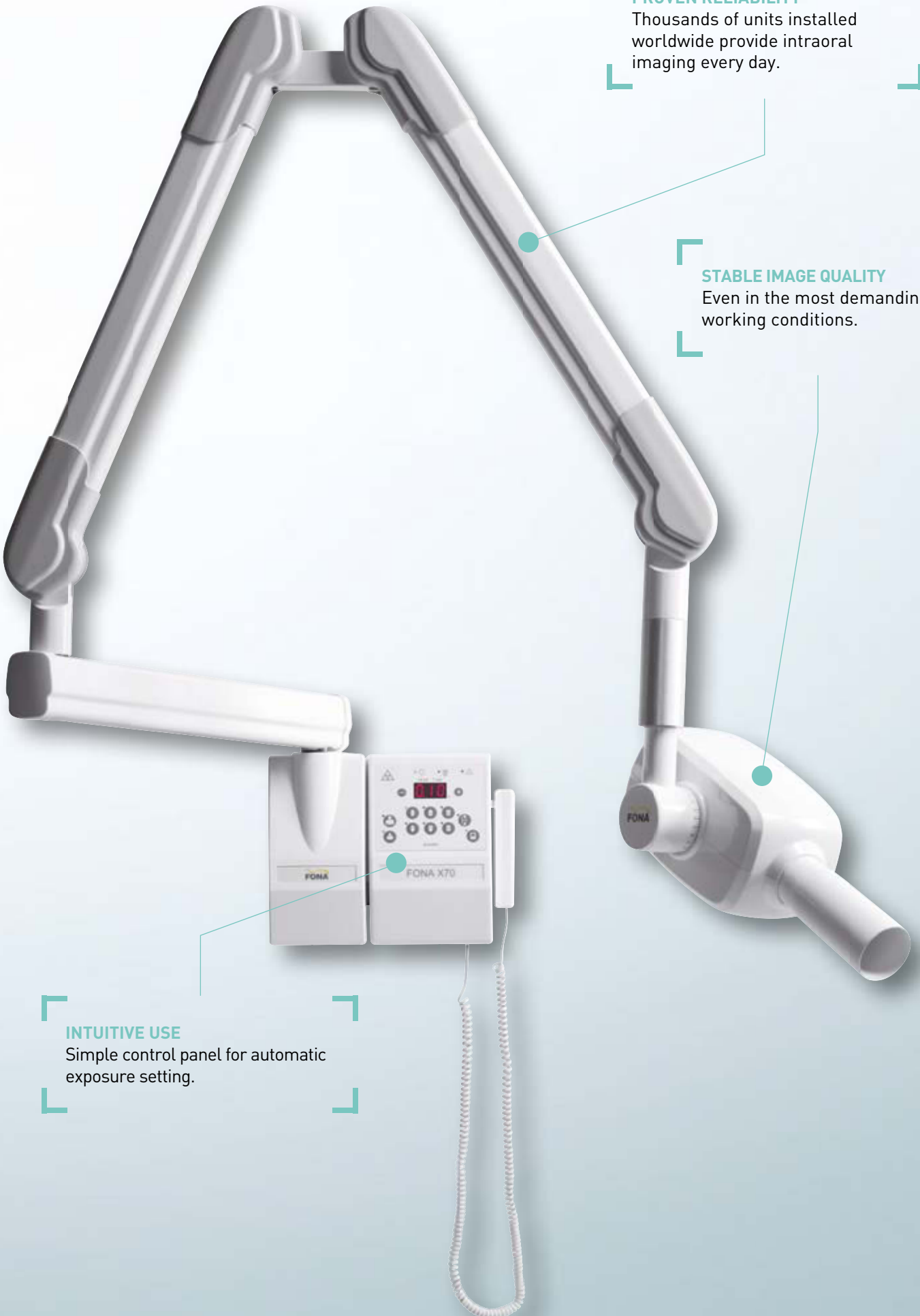
Intuitive use

Automatic setting of exposure times from 60 ms to 3.2 s, according to the tooth type and patient size selected.



Proven reliability

Protection against tube overheating gives the unit a long life, making your investment a secure one.



PROVEN RELIABILITY
Thousands of units installed worldwide provide intraoral imaging every day.

STABLE IMAGE QUALITY
Even in the most demanding working conditions.

INTUITIVE USE
Simple control panel for automatic exposure setting.

Options



4 different extension arms

Choose from 4 different extension arm lengths to make your intraoral unit perfectly fit into your dental studio. You can select standard 30 cm, 60 cm or 80 cm and optional 100 cm arm.



Rectangular collimator

FONA's rectangular beam limiting device permits significant dose reduction.



Mobile version

The mobile version is the ideal choice for dental clinics looking for maximum operational flexibility.



Collimator length

20/21 cm standard or 30 cm optional collimator available.



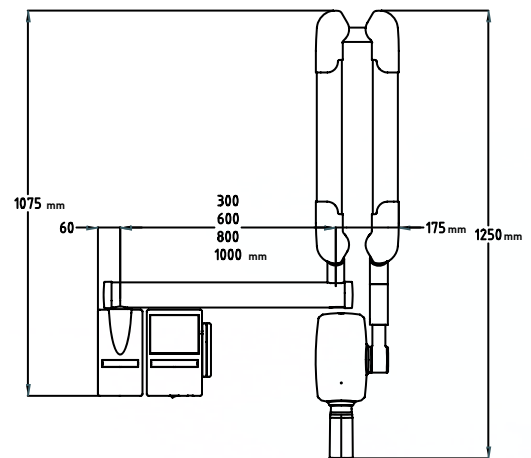
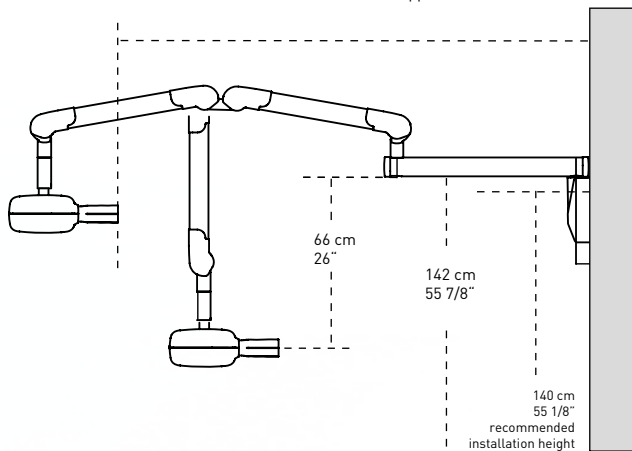
Remote hand switch

With a cable length of 10 m, the remote hand switch is easy to mount where needed.

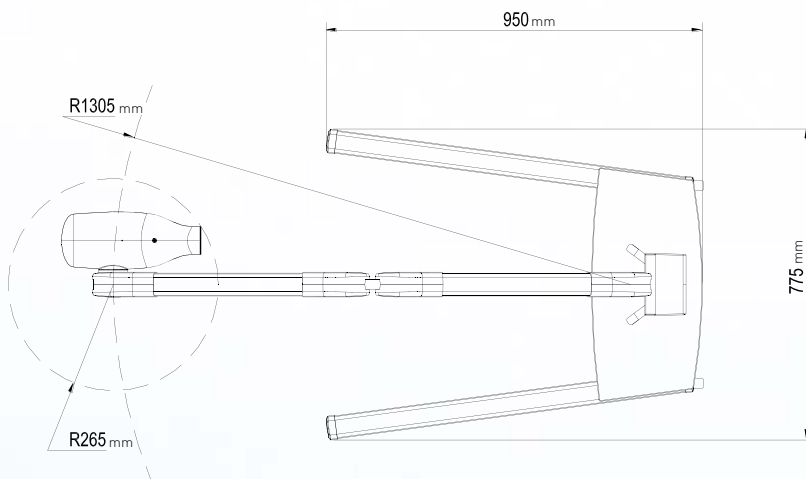
Technical Specifications

	FONA X70	FONA XDG	FONA XDC
Generator	Alternating Current (AC)	Alternating Current (AC)	Direct Current (DC)
Focus spot	0.8 (IEC 336/1997)	0.4 (IEC 336/1997)	0.4 (IEC 336/1997)
Tube voltage, tube current	70 kVp, 7 mA	70 kVp, 3.5 mA	60/70 kV (selectable), 7 mA
Line voltage	120/230 V, 50/60 Hz	120/230 V, 50/60 Hz	100/230V, 50/60 Hz
Focus - skin distance	Standard 21 cm	Standard 21 cm	Standard 20 cm (optional 30 cm)
Exposure time	0.06 – 3.2 s	0.21 - 11.2 mAs	0.01 – 3.2 s / 0,07 – 22,4 mAs
Patient Sizes	Adult, Child	Adult, Child	Adult, Child
Number of anatomical regions	7	7	9

143 cm with S 30 cm support arm
 173 cm with M 60 cm support arm
 193 cm with L 90 cm support arm
 213 cm with XL 100 cm support arm



Wall mounted version available in four different extension arm lengths: 30cm, 60cm, 80cm, 100cm



Every dental solution you need, FONA

We are an established global dental equipment company. Through decades of experience and deep understanding of the dental profession, we deliver complete, reliable and accessible solutions. Regardless of country or specialisation, every dentist can find a fitting solution in FONA today. As our knowledge and expertise grow, so does our range. Our international team is constantly on the move, meeting partners and dentists, so we can understand their needs and develop products that support and enhance their daily work.

Complete portfolio of reliable dental technology

DIGITAL DENTISTRY



Chairside CAD/CAM



Extraoral Imaging



Intraoral Imaging

TRADITIONAL DENTISTRY



Treatment Centers



Instruments and Laser



Hygiene

Based in Europe, available worldwide

HEADQUARTERS

- Bratislava, Slovakia

MANUFACTURING

- Bensheim, Germany
- Assago, Italy
- Guangzhou, China
- Risskov, Denmark
- New York, USA



Copyright FONA Dental, s.r.o., All rights reserved, Subject to technical changes and errors in text, BR0007, v4, ENG, 201702



Dealer:



HEADQUARTERS:

FONA Dental s.r.o.
Ševčenkova 34
SK - 85101 Bratislava
Slovak Republic
info@fonadental.com

www.fonadental.com